

Lamp Type LED - 3mm

This 3mm LED is widely used in general purpose indicator applications. These lamps are offering superior light output and wide viewing angles due to the optical design, diffusants and tints.

Features:

- > Standard brightness colored diffused LED lamp.
- > Superior resistance to moisture
- > Suitable for TTW soldering.

Applications:

- > Lighted switches
- > Light pipe sources
- > Keyboard indicators



Optical Characteristics at Tj=25°C

Part Ordering Number	Color	Viewing Angle°	Luminous Intensity @ IF = 10mA IV (mcd)		
			Min.	Typ.	Max.
L3S-G50C0-M2P1-1	Super Red, 632nm	50	22.40	39.2	56.0
L3R-G60D0-L2N1-1	Red, 630nm	60	14.0	22.4	35.5
L3Y-G60D0-KL2-1	Yellow, 588nm	60	7.2	11.2	18.0
L3G-G60D0-LM2-1	Green, 570nm	60	11.2	18.0	28.5

NOTE

- Luminous intensity is measured with an accuracy of ± 15%.
- Wavelength binning is carried for all units as per the wavelength-binning table. Only one wavelength group is allowed for each pack.

Electrical Characteristics at Tj=25°C

Part Number	Vf @ If = 10mA			Vr @ Ir = 10uA
	Min. (V)	Typ. (V)	Max. (V)	Min. (V)
L3x-Gxxxx	1.5	2.0	2.4	12

Forward voltage, measured with an accuracy of ± 0.1V.

Absolute Maximum Ratings

	Maximum Value	Unit
DC forward current	30	mA
Peak pulse current; (tp ≤ 10µs, Duty cycle = 0.10)	500	mA
Reverse voltage ; Ir (max) = 10µA.	12	V
ESD threshold (HBM)	2000	V
LED junction temperature	110	°C
Operating temperature	-40 ... +100	°C
Storage temperature	-40 ... +100	°C
Power dissipation (at room temperature)	75	mW

Wavelength Grouping at Tj=25°C

Color	Group	Wavelength distribution (nm)
L3S, Super Red	Full	625 - 640
L3R; Red	Full	620 - 635
L3Y; Yellow	Full	582 - 594
	W	582 - 585
	X	585 - 588
	Y	588 - 591
	Z	591 - 594
L3G; Green	Full	564.5 - 576.5
	W	564.5 - 567.5
	X	567.5 - 570.5
	Y	570.5 - 573.5
	Z	573.5 - 576.5

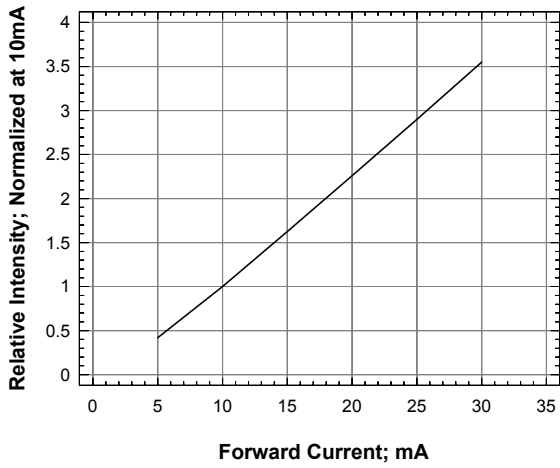
Dominant wavelength is measured with an accuracy of ± 1 nm.

Luminous Intensity Group at Tj=25°C

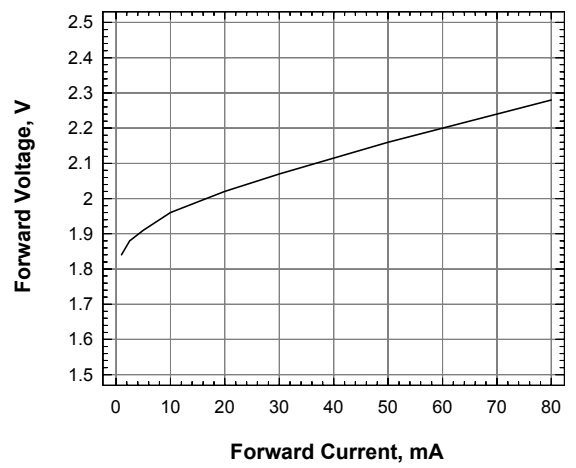
Brightness Group	Luminous Intensity IV (mcd)
K1	7.2...9.0
K2	9.0...11.2
L1	11.2...14.0
L2	14.0...18.0
M1	18.0...22.4
M2	22.4...28.5
N1	28.5...35.5
N2	35.5 ... 45.0
P1	45.0 ... 56.0

Luminous intensity is measured with an accuracy of ± 15%.

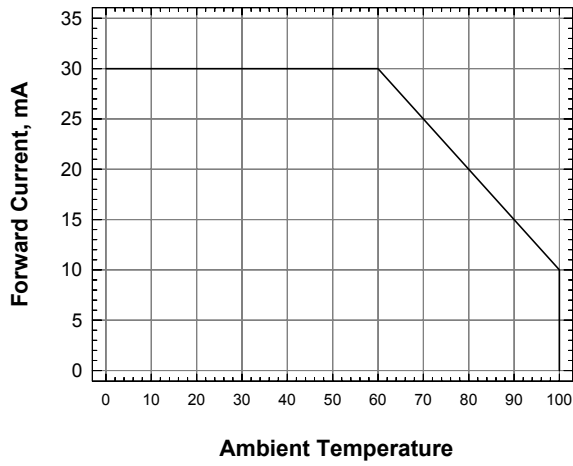
Relative Intensity vs Forward Current



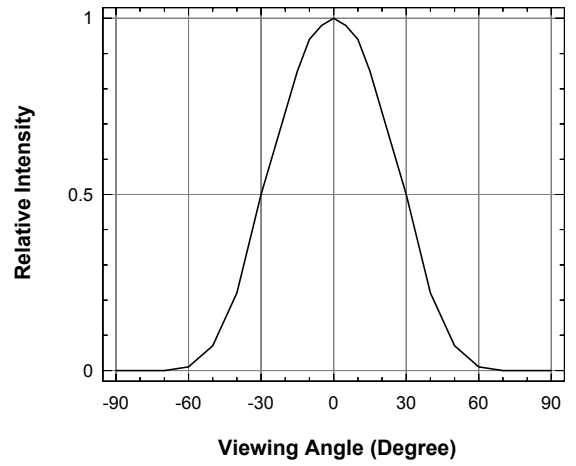
Forward Current Vs Forward Voltage



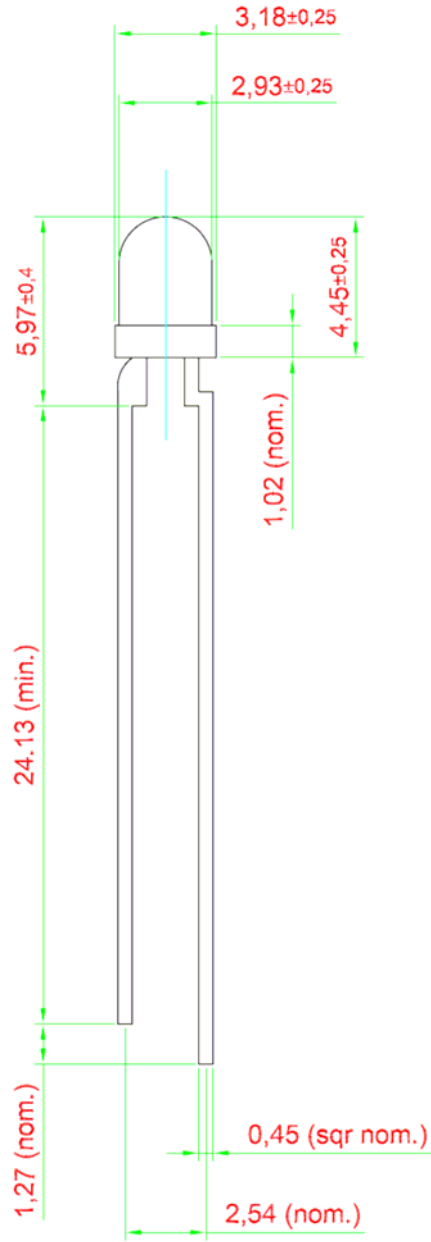
Maximum Current Vs Temperature



Radiation Pattern (2θ=60°)



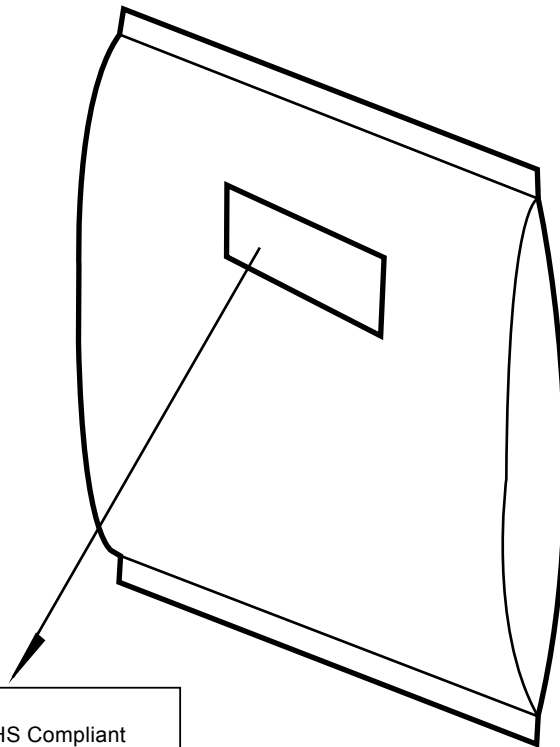
3mm Lamp • GaP : High Brightness Package Outlines






Packaging Specification

1. Loose pack of 500pcs/pack: L3x-Gxxxx-xxxx-x-x-0

	Average 1pc 3mm Lamp	1 completed pack (500pcs)
Weight (gram)	0.12	70 ± 10

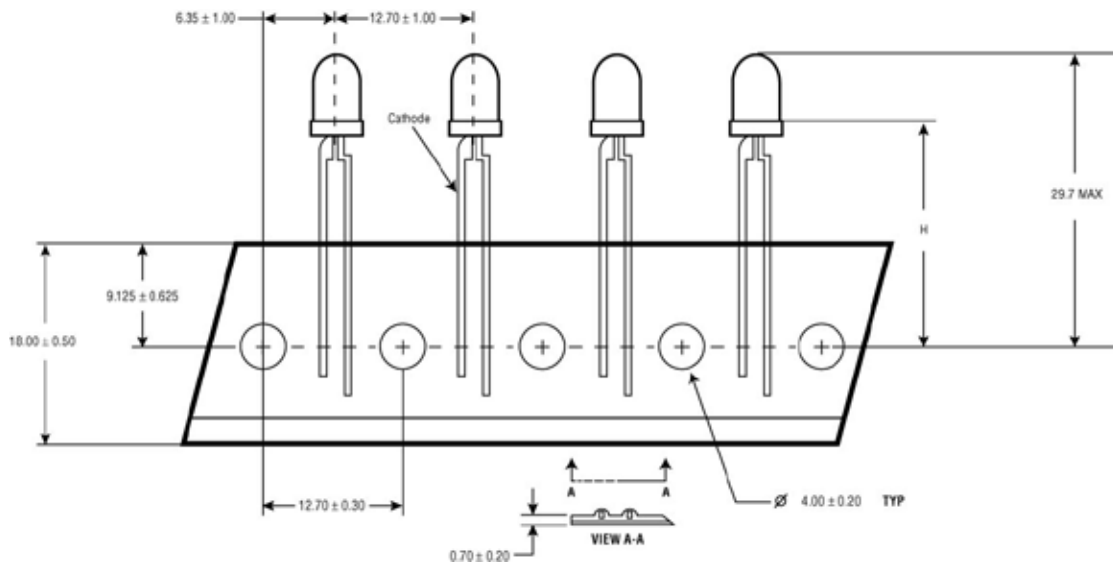


Barcode label

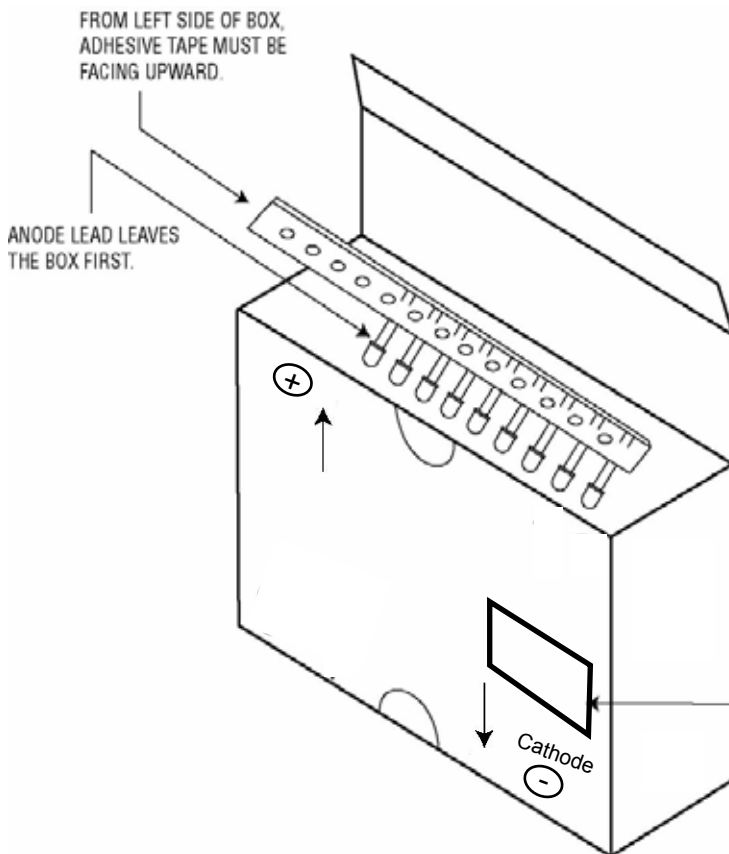
DOMINANT	ROHS Compliant
LOT NO : lotno	
	
PART NO : partno	PB Free
QTY : product quantity per reel S/N : serial no D/C: date code	
GROUP : group	
	

Packaging Specification



2. Ammopack: L3x-Gxxxx-xxxx-x-x-A



Average 1pc 3mm Lamp (g)	Box Dimensions (mm)	Empty Box Weight (kg)	Quantity / Box (pcs)	1 Completed Box With Units (kg)
0.12	345 x 275 x 48	0.16	5,000	0.85 ± 0.1



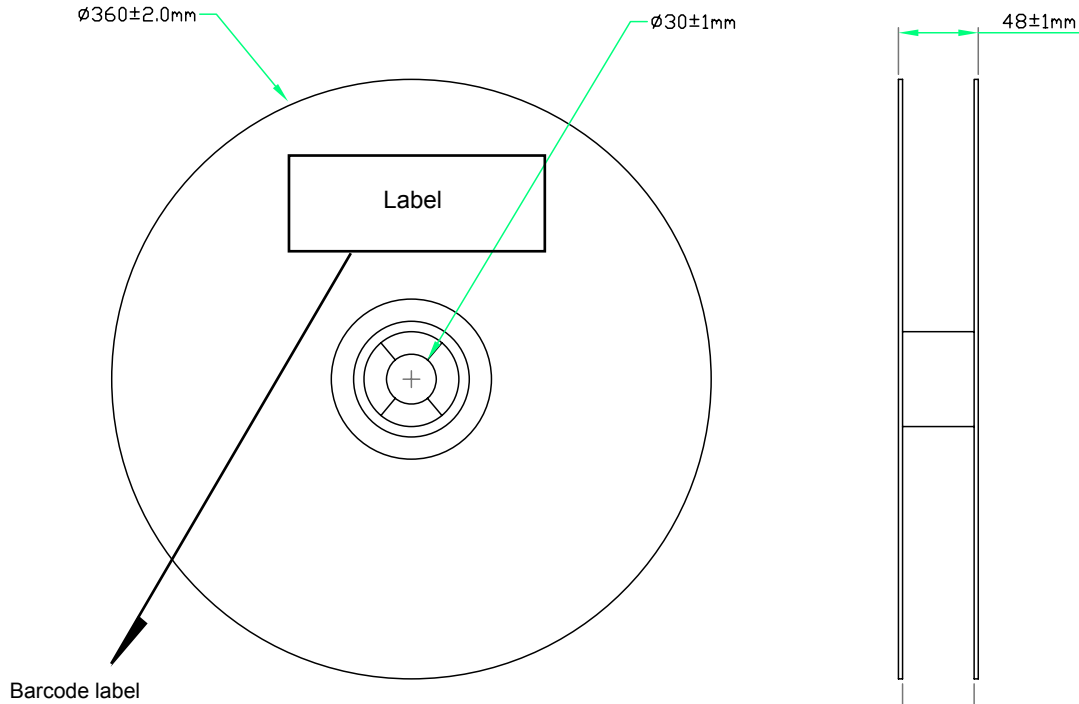
Barcode label




DOMINANT		ROHS Compliant
LOT NO : lotno		
		
PART NO : partno	PB Free	
QTY : product quantity per reel	S/N : serial no	D/C: date code
GROUP : group		
		

LABEL ON THIS SIDE OF BOX

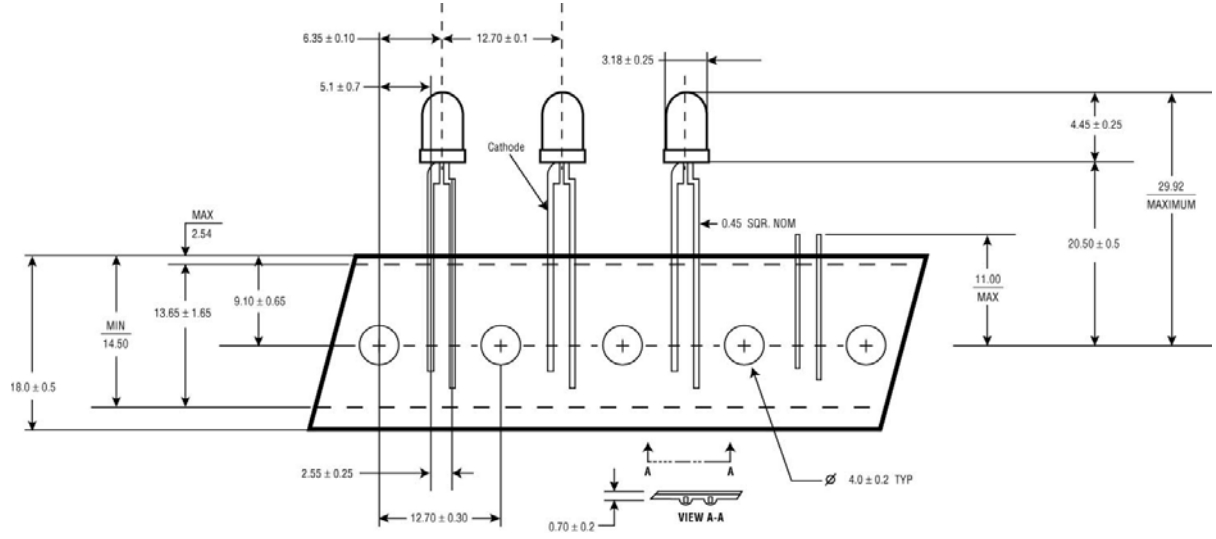
Packaging Specification

3. Reel: L3x-Gxxxx-xxxx-x-x-T



DOMINANT	ROHS Compliant
LOT NO : lotno	
	
PART NO : partno	PB Free
QTY : product quantity per reel	S/N : serial no
	D/C: date code
GROUP : group	
	

Average 1pc 3mm Lamp (g)	Empty Reel Weight (kg)	Quantity / Reel (pcs)	1 Completed Reel (kg)
0.12	0.39	1,800	0.75 ± 0.1



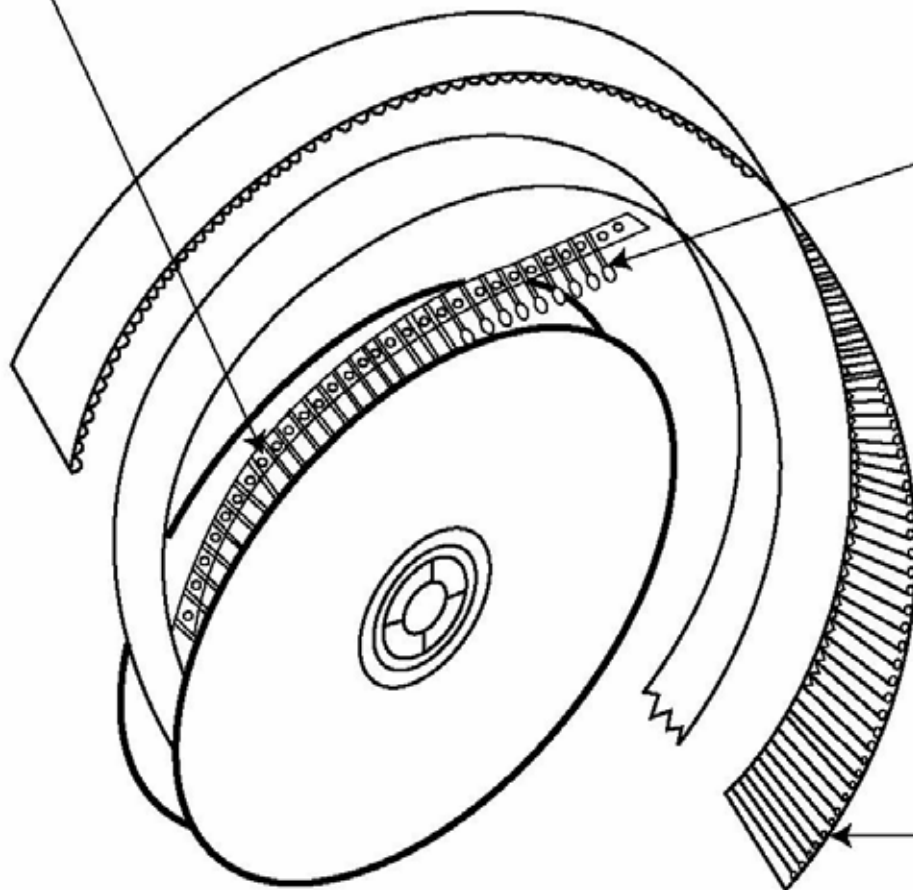
Packaging Specification

Adhesive Tape Must
Be Facing Towards
The Outside Of The Reel

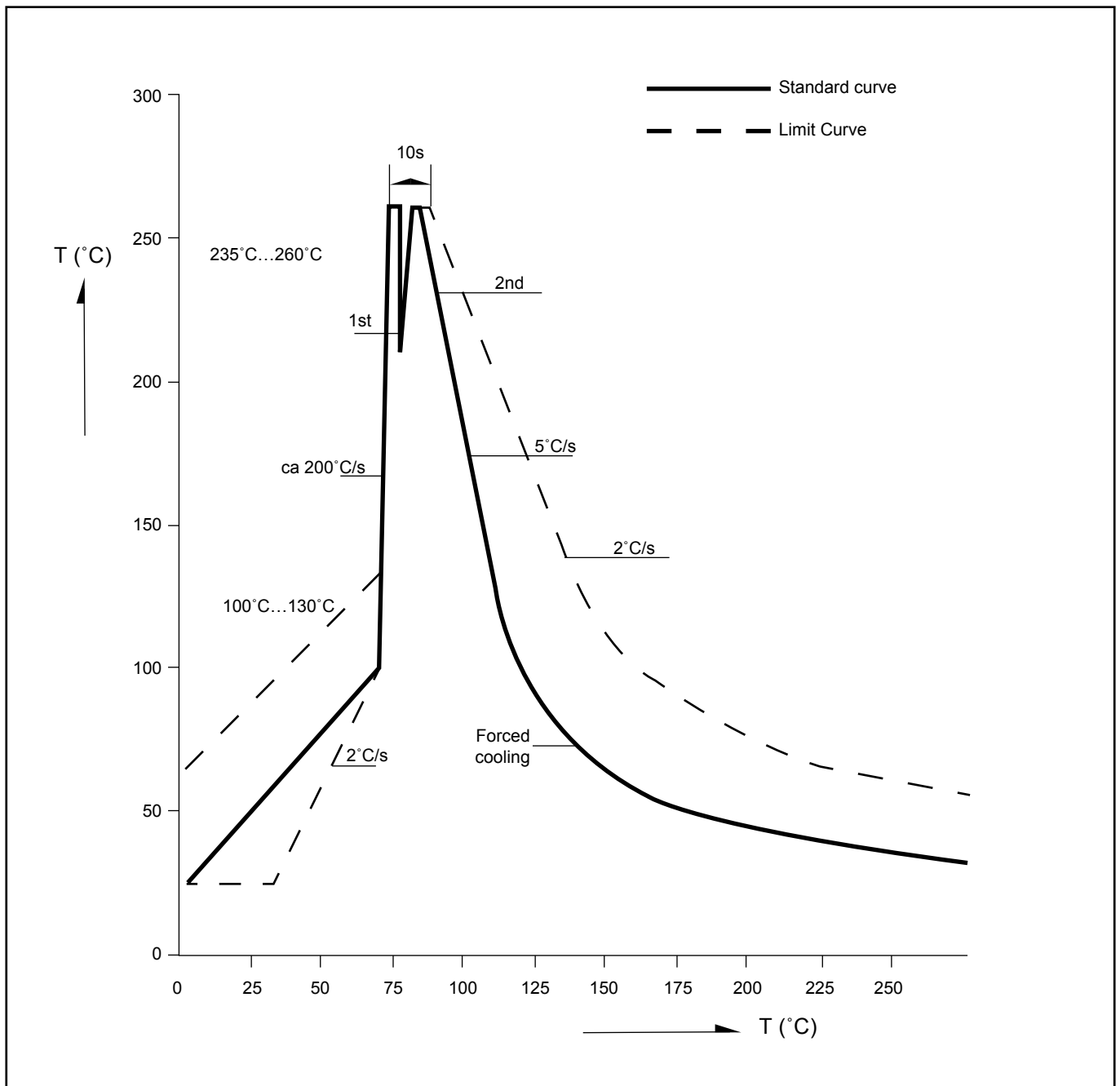
Reeling Orientation
Clockwise

Anode Lead
Leaves The
Reel First

Protective
Cardboard



Recommended TTW Soldering Profile (acc. to CECC 00802)



Revision History

Page	Subjects	Date of Modification
-	Initial Release	30 Oct 2008
-	Update company name	01 Jul 2010
2	Add Part No: L3S-G50C0-M2P1-1	28 Mar 2011

NOTE

All the information contained in this document is considered to be reliable at the time of publishing. However, DOMINANT Opto Technologies does not assume any liability arising out of the application or use of any product described herein.

DOMINANT Opto Technologies reserves the right to make changes to any products in order to improve reliability, function or design.

DOMINANT Opto Technologies products are not authorized for use as critical components in life support devices or systems without the express written approval from the Managing Director of DOMINANT Opto Technologies.

About Us

DOMINANT Opto Technologies is a dynamic Malaysian Corporation that is among the world's leading SMT LED Manufacturers. An excellence – driven organization, it offers a comprehensive product range for diverse industries and applications. Featuring an internationally certified quality assurance acclaim, DOMINANT's extra bright LEDs are perfectly suited for various lighting applications in the automotive, consumer and communications as well as industrial sectors. With extensive industry experience and relentless pursuit of innovation, DOMINANT's state-of-art manufacturing, research and testing capabilities have become a trusted and reliable brand across the globe. More information about DOMINANT Opto Technologies can be found on the Internet at <http://www.dominant-semi.com>.

Please contact us for more information:

Head Quarter

DOMINANT Opto Technologies Sdn. Bhd.
Lot 6, Batu Berendam, FTZ Phase III, 75350 Melaka, Malaysia
Tel: (606) 283 3566 Fax: (606) 283 0566
E-mail: sales@dominant-semi.com

DOMINANT Opto Technologies Sdn. Bhd. Shanghai Representative Office

Rm 1007, DaZhong Building, No. 1515 Zhong Shan (W) Rd, Shanghai, China 200235
Tel: +86 21 6428 6428 Fax: +86 21 6428 6880
E-mail: sales_china@dominant-semi.com

DOMINANT Korea Sales Office

DOMINANT Semiconductors Korea Inc.
RM 211 SUNTEAK CITY APT. 513-15 Sangdaewon-dong, Jungwon-gu, Seongnam-si, Gyeonggi-do, 462-725, Korea
Tel: +82-31-701-5203 Fax: +82-31-701-5204
E-mail: sales_korea@dominant-semi.com

DOMINANT U.S.A Sales Office

25 Rockaway Road, 08833 Lebanon, New Jersey, USA
Tel: (908) 439-9930 Cell: (908) 343-5810 Fax: (908) 439-9929
E-mail: don.wendel@dominant-semi.com

DOMINANT Europe Sales Office

DOMINANT Semiconductors Europe GmbH
Raiffeisenstr. 38, 74906 Bad Rappenau Germany
Tel: +49 (0) 7264-89010-10 / +49 (0) 7264-89010-11 Cell: +49 173-6907370 / +49 173-6907751
Fax: +49 (0) 7264-89010-29
E-mail: gerd.wachno@dominant-semi.eu; hartmut.wettengl@dominant-semi.eu

DOMINANT India Sales Office

C-11, Vasanth Business Centre #86, TTK Road, Alwarpet Chennai - 600 018, INDIA
Tel: 91-44-42030616 / 516 Cell: 91-9444920537 Fax: 91-9444920616
E-mail: pravat.behera@dominant-semi.com

